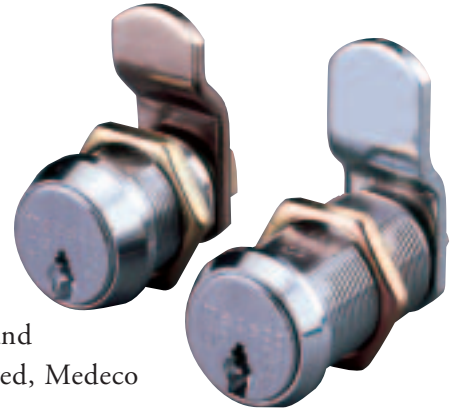




MVP Cam Locks

Medeco® MVP cam locks have been specifically developed for cost sensitive applications where key control and pick resistance are the primary security concerns, and resistance to physical attack is not a major consideration. MVP cam locks are manufactured from high density zinc die cast, and offer the same key control advantages as well as pick resistance of standard Medeco 60 series cam locks.

Patented key programs prevent the unauthorized duplication of keys and maintain system integrity. Keyed alike, keyed different, or master keyed, Medeco offers MVP cam locks in a three pin, 5/8" and five pin, 1 1/8" models.



Medeco's unique elevate and rotate pin tumbler design provides double locking action, making cylinders virtually pick proof. All Medeco keys and locks are protected under patent, trademark, and copyright laws. Medeco keys may only be duplicated by Medeco or by an authorized Medeco Service Center, and only at your request.

Benefits:

- ▼ Constructed of high density zinc die cast to better fit into more cost sensitive applications.
- ▼ Unique elevating and rotating tumbler pin system is virtually pick proof.
- ▼ Patented Medeco keys may only be duplicated by Medeco or authorized Medeco Service Center, and only at your request.
- ▼ Medeco cam locks are completely serviceable, and can be re-keyed in case of lost or stolen keys
- ▼ Medeco MVP cam locks can be keyed in with other 60 series products (10 series products may be keyed into existing 60 series systems)
- ▼ Locks can be keyed alike, keyed different, or master keyed (5 pin model only) depending on your specific needs.
- ▼ Available 5/8" and 1 1/8" body lengths, key retained or not, two flat, and various rotations.

* Not available in Medeco³

Applications:

Medeco MVP cam locks are recommended for use in any market where physical security is not a primary consideration, but key control is a concern. Suggested applications include:

Home Alarms Equipment Service Doors
Internal Access Panels Safety Lockout Devices

Warranty:

Warranted for two years against manufacturer's defects. See Medeco limited Warranty for full details.

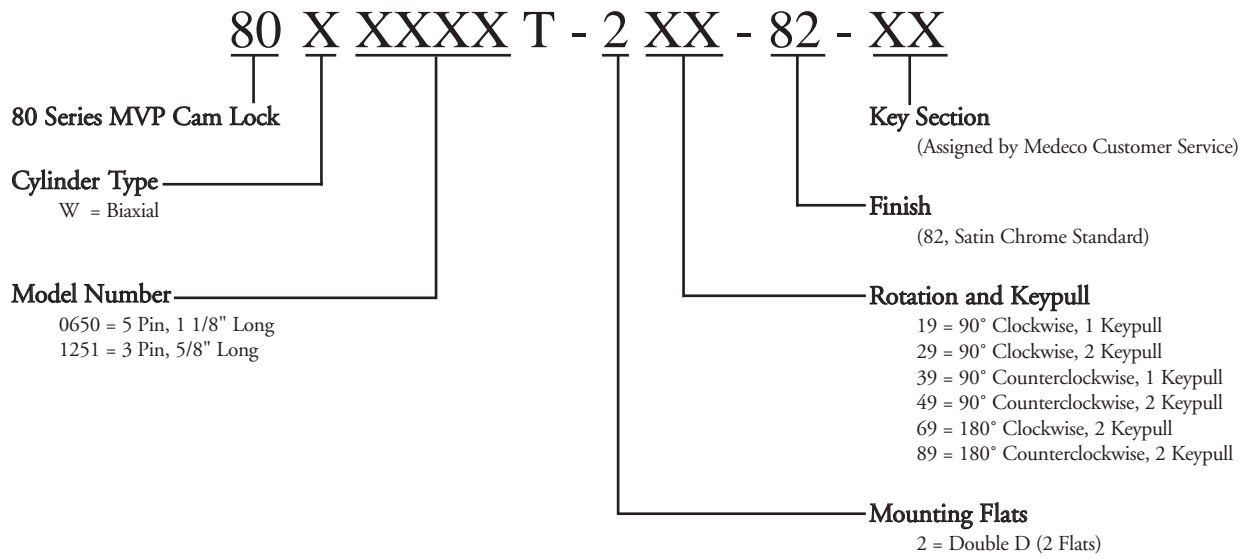
Technical Information:

Three pin, 5/8" and Five pin, 1 1/8" models available.
Two flats, key retaining or not.
Clockwise or counterclockwise rotation, 90°.
180°, two keypull also available.
Keyed alike, keyed different, or master keyed (5 pin).

Finishes:

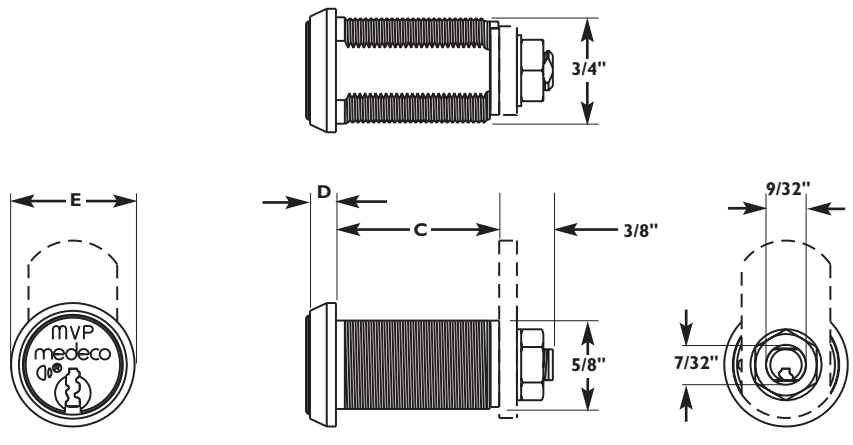
Simulated 26 satin chrome finish.

Ordering Instructions



Technical Drawings

DIMENSIONS



Size Code	# of Pins	Dimension C	Dimension D	Dimension E
0650	5	1 1/8"	3/16"	7/8"
1251	3	5/8"	3/16"	7/8"